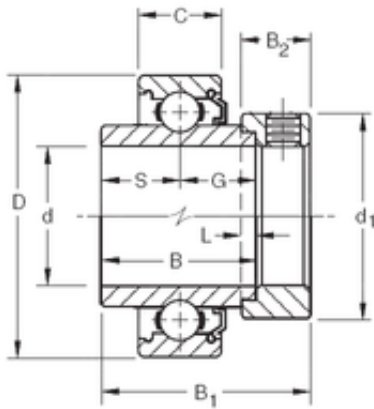




NACHI DRIVESHAFT, INC.

19.05 mm x 47 mm x 34,13 mm Timken 1012KL Ball Insert Bearings



Bearing No. 1012KL

Size	19.05x47x34.13 mm
Bore Diameter	19.05 mm
Outer Diameter	47 mm
Width	34,13 mm
d	19.05 mm
D	47 mm
B	34,13 mm
C	14 mm
d1	33,34 mm
B1	43,7 mm
B2	13,5 mm
G	17,06 mm
L	3,97 mm
S	17,06 mm
Weight	0,209 Kg
Basic dynamic load rating (C)	14,3 kN

1012KL Bearing 2D drawings and 3D CAD models